

SELF CLEANING FILTERS



model MXA

model MX

SELF CLEANING FILTER MANUAL - model MX

Filter self-cleaning backwash according to DIN 19632 for the filtration of sand and solid impurities from drinking water. Filter element modular filter cartridge with high quality stainless steel 100 micron (on request also 50, 200, or 500 micron). Body in brass dezincification or technical material synthesis; link for rinse water, pressure gauge and threaded connections up to DN 50 (2"), flanges from DN 65. The self-cleaning only takes place with water filtered through a filter inside. Nominal pressure PN 16, max. water temperature 90 °C.

SELF CLEANING FILTER AUTOMATIC - model MXA

Self-cleaning filter to backwash completely automatic according to DIN 19632 for the filtration of sand and solid impurities from drinking water.

Modular filter element cartridge with high quality stainless steel 100 micron (on request also 50, 200, or 500 micron). Body in brass dezincification or technical material synthesis; link for rinse water, pressure gauge and threaded connections up to DN 50 (2"), flanges from DN 65. The self-cleaning occurs only with filtered water through an internal filter. Nominal pressure PN 16, max. water temperature 90 °C.

Compared to the type MX is equipped with units of integrated motor, electronic control unit programmable separate indicator of faults; maintenance intervals programmable. Includes cable and power cord with plug schuco, electrical panel for wall mounting, differential pressure control and timer; potential-free output. Electrical connection: 230V, 50Hz. filtered through an internal filter.

Nominal pressure PN 16, max. water temperature 90 °C.

MODELS

	flow mc/h	connect.		flow mc/h	connect.
Self cleaning filter manual MX 1"	8,5	1"	Self cleaning filter auto. MXA 1 1/2"	22	1 1/2"
Self cleaning filter manual MX 1 1/4"	12	1 1/4"	Self cleaning filter auto. MXA 2"	27	2"
Self cleaning filter manual MX 1 1/2"	22	1 1/2"	Self cleaning filter auto. MXA DN 65	33	DN65
Self cleaning filter manual MX 2"	27	2"	Self cleaning filter auto. MXA DN 80	60	DN80
Self cleaning filter manual MX DN 65	33	DN65	Self cleaning filter auto. MXA DN 100	66	DN100
Self cleaning filter manual MX DN 80	60	DN80			
Self cleaning filter manual MX DN 100	66	DN100			

SELF CLEANING FILTERS household



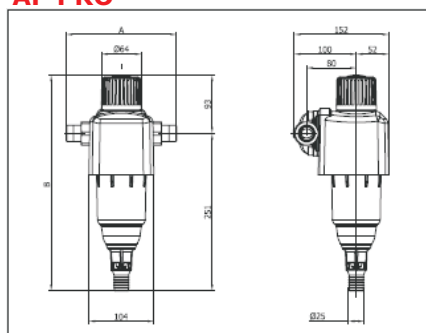
SELF CLEANING FILTER model AP-PRO

Innovative filter for the removal of suspended particles, sand and metals. Made from Delrin body, in / out connections placed on plate which can be rotated 360 ° brass vase SAN transparent plastic drain valve.

The filter comes complete with filter cartridge made of washable nylon. The water enters the filter and through the cartridge from 'inside to outside, and comes out clean. Turning the knob counter-clockwise turns on the washing with water at high speed, thanks to the Venturi principle of operation of the plastic cylinder inside. The dirty water flows out from the exhaust valve. To finish cleaning the cartridge, turn the knob clockwise. During the cleaning cartridge does not stop the supply of filtered water to the network.

model	IN-OUT	recommended flow		dimensions
		mc/h $\Delta p=0,2$ bar	mc/h $\Delta p=0,5$ bar	
AP PRO	F 1/2"	3	4,6	165x344
AP PRO	F 3/4"	3,5	5,1	174x344
AP PRO	F 1"	4	5,9	190x344

AP PRO



SELF CLEANING FILTER model AP-EASY HT

The filter AP-EASY is designed for the filtration of drinking water and industrial water. Its function is to protect both the pipes that the installations connected to it from corrosion and deterioration due to the passage of foreign bodies such as sand, rust particles, etc..

The filter made with brass head, SAN bowls, with mesh filter cartridge Arnite polyester washable. The washing occurs in fast and easy way by actuating the tap at the bottom of the vessel. The HT version suitable for the filtration of water at high temperature (up to 80 °C) and is equipped with vessel Trogamid and cartridge with INOX network.

The head of the filter AP-ECO is equipped with female threaded connections also has a bleed valve useful during the filling phase and maintenance of the filter.

model	IN-OUT	recommended flow		dimensions
		mc/h $\Delta p=0,2$ bar	mc/h $\Delta p=0,5$ bar	
AP ECO	F 1/2"	1,9	3,4	165x344
AP ECO	F 3/4"	2,4	3,9	174x344
AP ECO-HT	F 1/2"	1,8	3,3	165x344
AP ECO-HT	F 3/4"	2,3	3,8	174x344